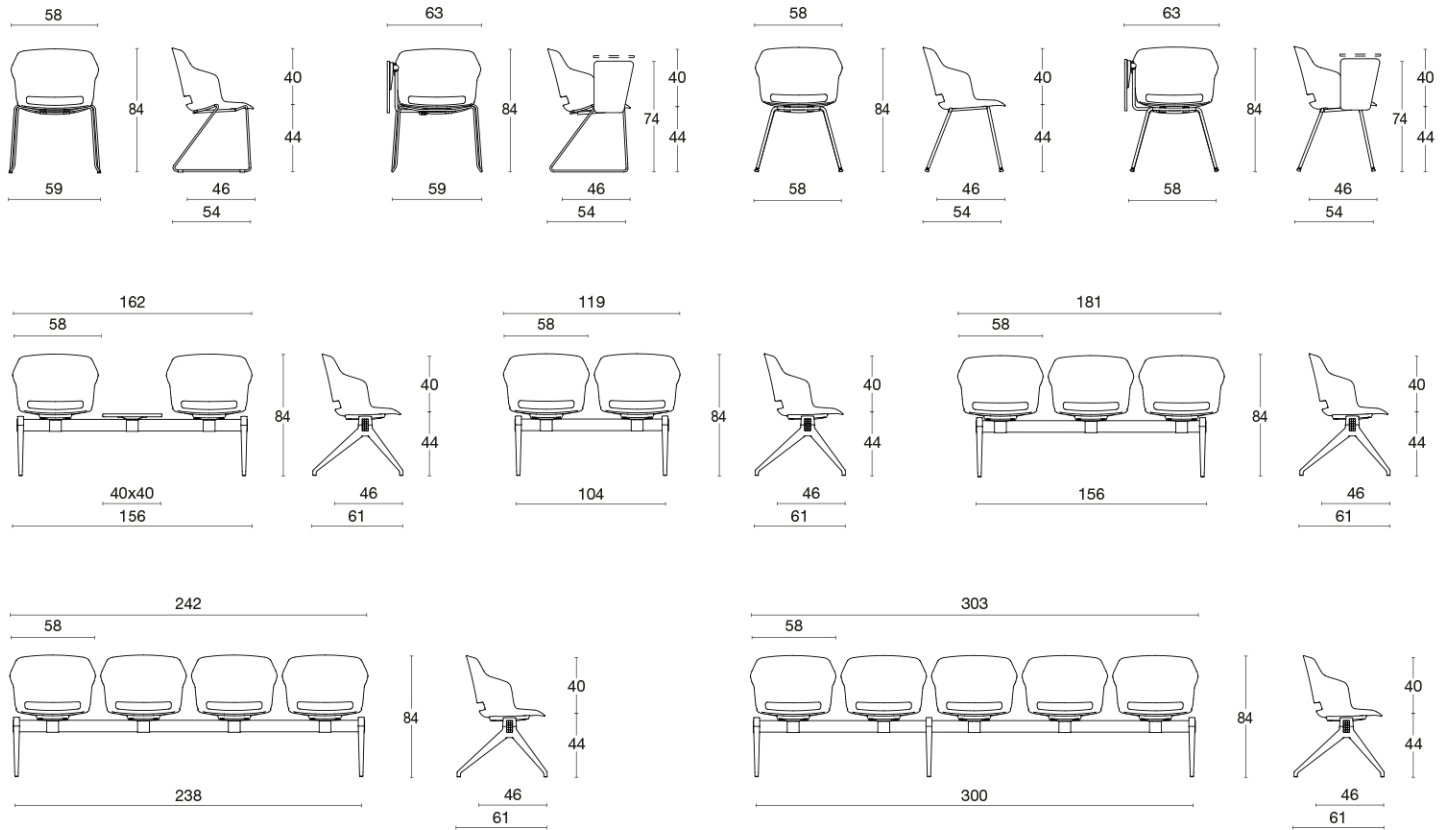


CLOP

1° livello della EN 16139:2013 / CAM / Warranty: 5 YEARS

Community chair / visitor / bench

An armchair with an innovative design and clean lines; four-legged and sled-based versions, chromed, black or white. The beam system is available as two, three, four and five-seaters. Optional: polypropylene writing tablet Other versions and frame types are included in the task chairs and meeting sections.



frame



polypropylene



base: chromed / black lacquered / white lacquered / polished aluminium

upholstery



fabric Jet 15 colours Cat. F	faux leather Planet 15 colours Cat. F	faux leather Cube 15 colours Cat. G	fabric Mirage 15 colours Cat. G	fabric Era 15 colours Cat. S	fabric Model 15 colours Cat. S	fabric Ikon 14 colours Cat. Top	fabric Gorgeous 15 colours Cat. Extra	fabric Wolin 9 colours Cat. Extra	fabric Hestan 6 colours Cat. Extra	fabric Blazer 12 colours Cat. Extra	leather Polo 15 colours Cat. Fiesta	leather Fiesta 9 colours	leather Nuvola 6 colours	PP 4 colours
---------------------------------------	------------------------------------------------	----------------------------------------------	------------------------------------------	---------------------------------------	-----------------------------------------	------------------------------------------	------------------------------------------------	--------------------------------------------	---------------------------------------------	----------------------------------------------	----------------------------------------------	--------------------------------	--------------------------------	-----------------

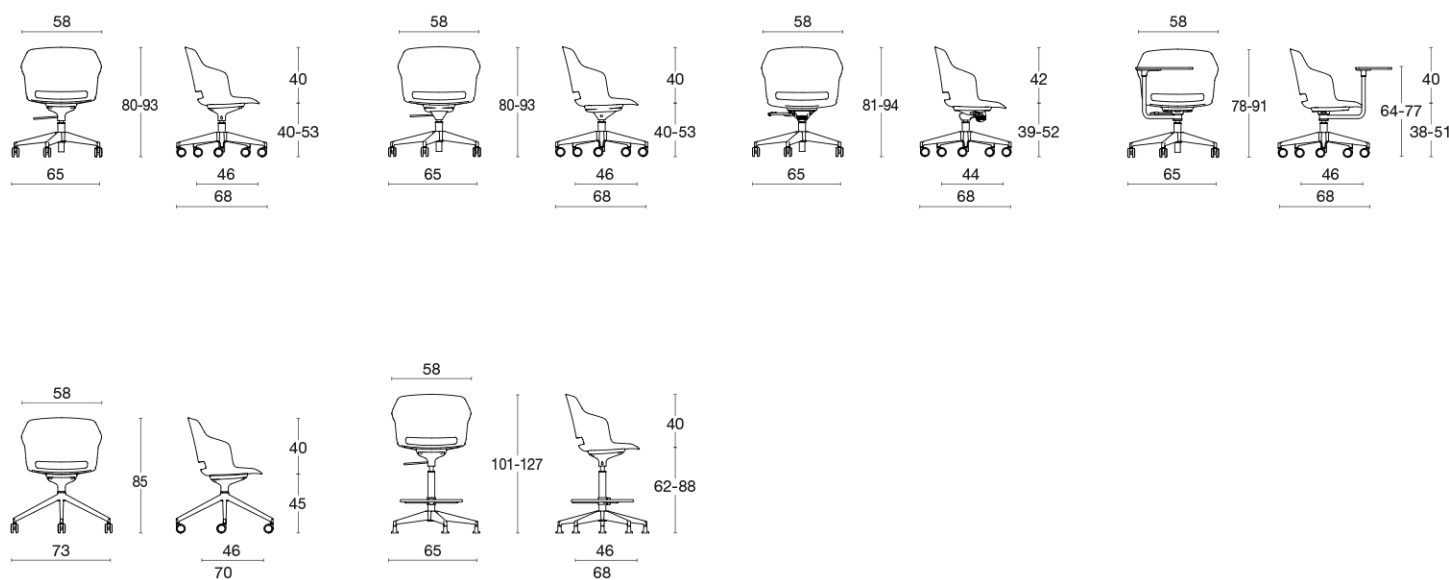
Please refer to the materials folder for the fabric, leather and faux leather colour palette.

CLOP

UNI EN 1335 TIPO B / CAM / Warranty: 5 YEARS

Task chair / visitor / technical stool

An armchair with an innovative design and clean lines, the polypropylene shell is available in different colours. It can be completely upholstered, or fitted with just a seat cushion. The range includes the fixed version on a black, white or chromed four-legged or sled frame, or on 4 legs in ashwood. The swivel version comes: on pyramid base in a choice of base finishes; black or white polypropylene; or in black, white or polished aluminum on castors. It is also available in a stool version for breakout areas, with a fixed chromed base, or a round base with gas lift. The family also includes the version with mechanism (see task seating section), or on beam, or with writing tablet (see contract section).



frame



polypropylene



base: chromed / black lacquered / white lacquered / polished aluminum / black polypropylene / white polypropylene

upholstery



fabric	faux leather	fabric	faux leather	fabric	fabric	fabric	fabric	fabric	fabric	fabric	leather	leather	leather
Jet	Planet	Mirage	Cube	Era	Model	Ikon	Blazer	Gorgeous	Hestan	Wolin	Polo	Fiesta	Nuvola
15 colours	15 colours	15 colours	15 colours	15 colours	15 colours	14 colours	12 colours	15 colours	6 colours	9 colours	15 colours	9 colours	6 colours
Cat. F	Cat. F	Cat. G	Cat. G	Cat. S	Cat. S	Cat. Top	Cat. Extra	Cat. Extra	Cat. Extra	Cat. Extra	Cat. Fiesta		

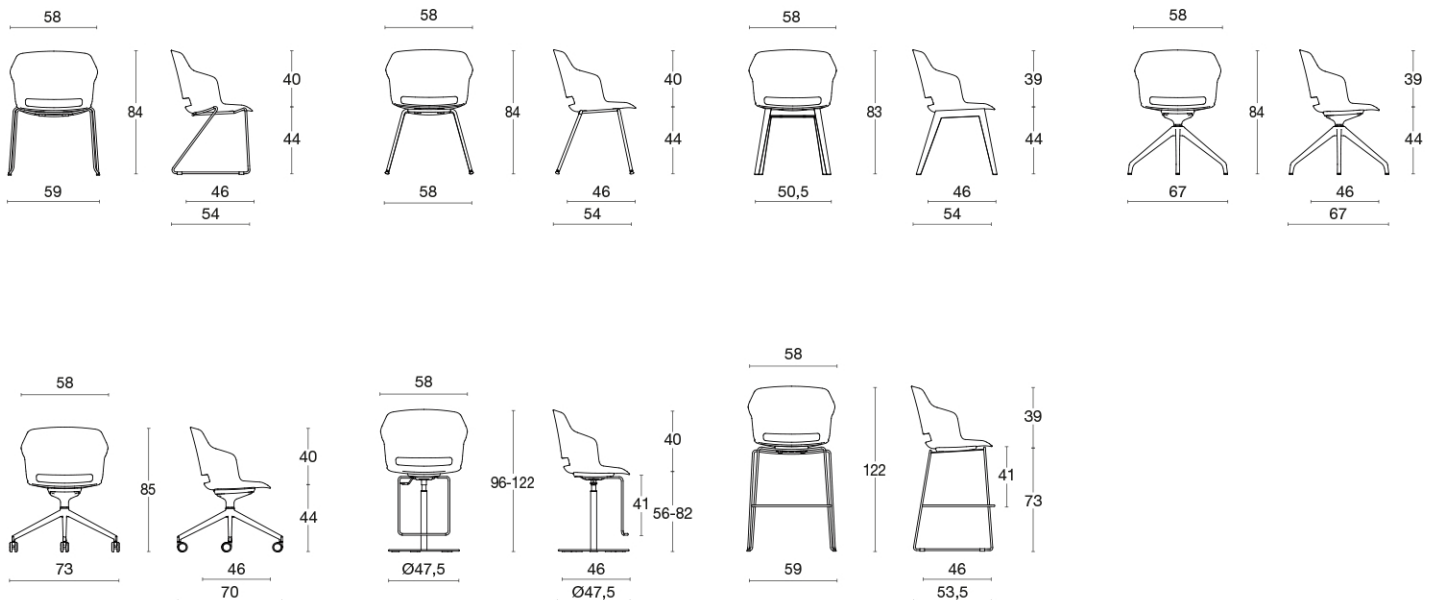
Please refer to the materials folder for the fabric, leather and faux leather colour palette.

CLOP

UNI EN 1335 TIPO B / 1 LIVELLO DELLA UNI EN 16139 / CAM / Warranty: 5 YEARS

Visitor / stool

An armchair with an innovative design and clean lines, the polypropylene shell is available in different colours. It can be completely upholstered, or fitted with just a seat cushion. The range includes the fixed version on a black, white or chromed four-legged or sled frame, or on 4 legs in ashwood. The swivel version comes: on pyramid base in a choice of base finishes; black or white polypropylene; or in black, white or polished aluminum on castors. It is also available in a stool version for breakout areas, with a fixed chromed base, or a round base with gas lift. The family also includes the version with mechanism (see task seating section), or on beam, or with writing tablet (see contract section).



frame



polypropylene



base: chromed / black lacquered / white lacquered / polished aluminum / black polypropylene / white polypropylene



hide
Clop
2 colours

upholstery



fabric	faux leather	faux leather	fabric	fabric	fabric	fabric	fabric	fabric	fabric	fabric	leather	leather	leather	PP
Jet	Planet	Cube	Mirage	Era	Model	Ikon	Gorgeous	Wolin	Hestan	Blazer	Polo	Fiesta	Nuvola	Clop
15 colours	15 colours	15 colours	15 colours	15 colours	15 colours	14 colours	15 colours	9 colours	6 colours	12 colours	15 colours	9 colours	6 colours	4 colours
Cat. F	Cat. F	Cat. G	Cat. G	Cat. S	Cat. S	Cat. Top	Cat. Extra	Cat. Extra	Cat. Extra	Cat. Extra	Cat. Fiesta			

Please refer to the materials folder for the fabric, leather and faux leather colour palette.