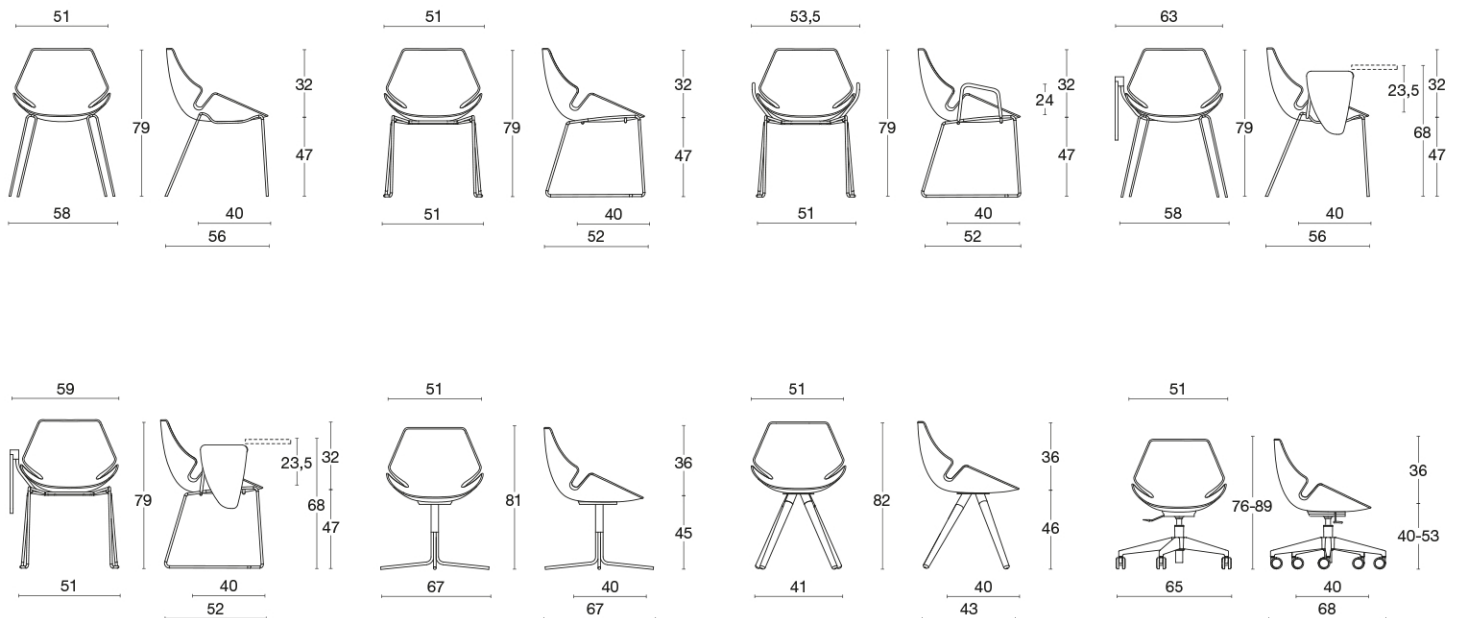


Plus Design / 2011

UNI EN 15373 / UNI EN 1728 / Warranty: 5 YEARS

Community chair / visitor / bench / stool

Just the chair for the contract, office or home. Body in coloured rigid TECH polyurethane. Available: on 4 chromed legs; on a chromed or black sled base; on 4 wooden legs in ash; on a 5-spur aluminium base with gaslift and castors; or on a tubular steel base with swivel. Also available as a barstool on chromed sled; or as two, three, four or five-seater beam units. Fixed stool with chromed frame; or with gaslift on a round chromed base. The shell can also be upholstered.



frame



Tech polyurethane / steel



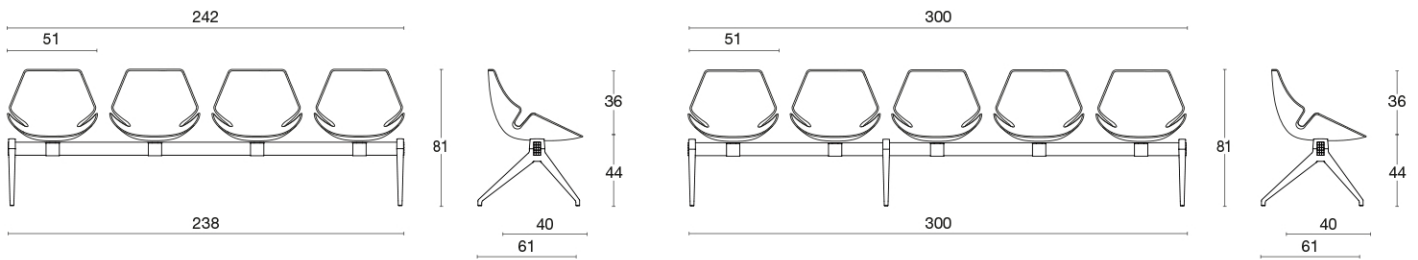
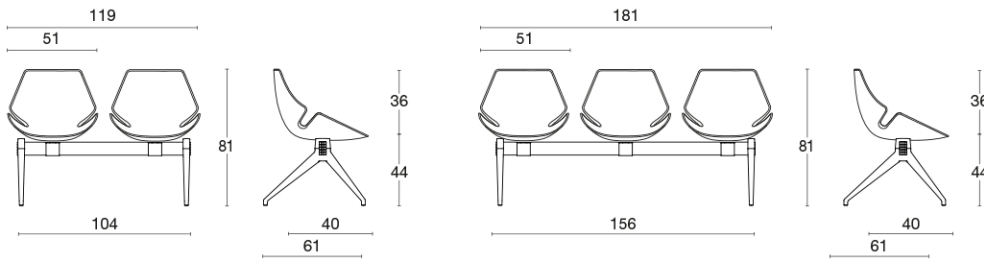
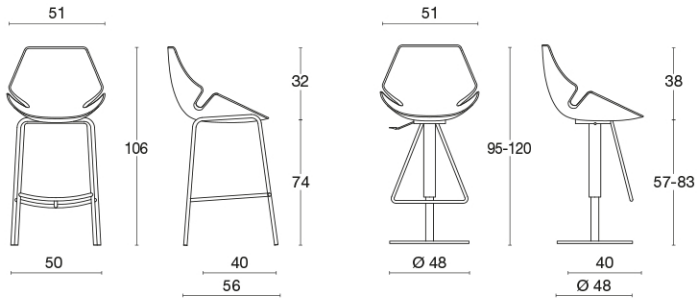
base: chromed / lacquered black / polished aluminum

upholstery



fabric	faux leather	faux leather	fabric	fabric	fabric	fabric	fabric	fabric	fabric	fabric	leather	leather	leather
Jet	Planet	Cube	Mirage	Era	Model	Ikon	Gorgeous	Wolin	Hestan	Blazer	Polo	Fiesta	Nuvola
15 colours	15 colours	15 colours	15 colours	15 colours	15 colours	14 colours	15 colours	9 colours	6 colours	12 colours	15 colours	9 colours	6 colours
Cat. F	Cat. F	Cat. G	Cat. G	Cat. S	Cat. S	Cat. Top	Cat. Extra	Cat. Extra	Cat. Extra	Cat. Extra	Cat. Fiesta		

Please refer to the materials folder for the fabric, leather and faux leather colour palette.



frame

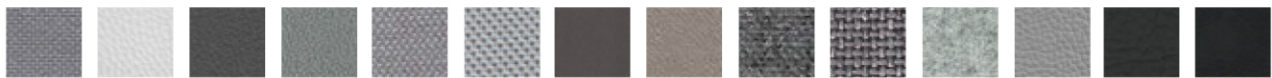


Tech polyurethane / steel



base: chromed / lacquered black / polished aluminum

upholstery



fabric	faux leather	faux leather	fabric	fabric	fabric	fabric	fabric	fabric	fabric	fabric	leather	leather	leather
Jet	Planet	Cube	Mirage	Era	Model	Ikon	Gorgeous	Wolin	Hestan	Blazer	Polo	Fiesta	Nuvola
15 colours	15 colours	15 colours	15 colours	15 colours	15 colours	14 colours	15 colours	9 colours	6 colours	12 colours	15 colours	9 colours	6 colours
Cat. F	Cat. F	Cat. G	Cat. G	Cat. S	Cat. S	Cat. Top	Cat. Extra	Cat. Extra	Cat. Extra	Cat. Extra	Cat. Fiesta		

Please refer to the materials folder for the fabric, leather and faux leather colour palette.