

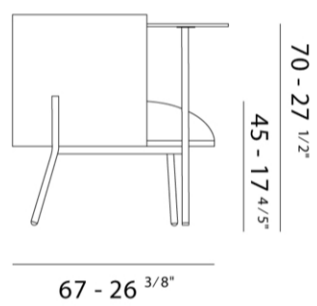
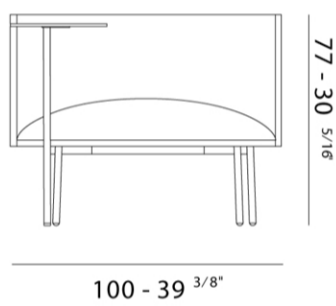


Finn | Low with table

Finn's mark is inspired by a sailing boat created in 1950 by the Swedish Rickard Sarby. The seat's enveloping features, inspired by sailing, bring us back to the sea and the sense of freedom that it reveals.

Description

Armchair with curved wooden shell upholstered in fabric, faux leather or leather. Available in combined version. Steel frame in various finishes with HPL table.



FIN092
FINN
Low

Finishes

PC



HPL (Top Color)

