

# HALFPIPE

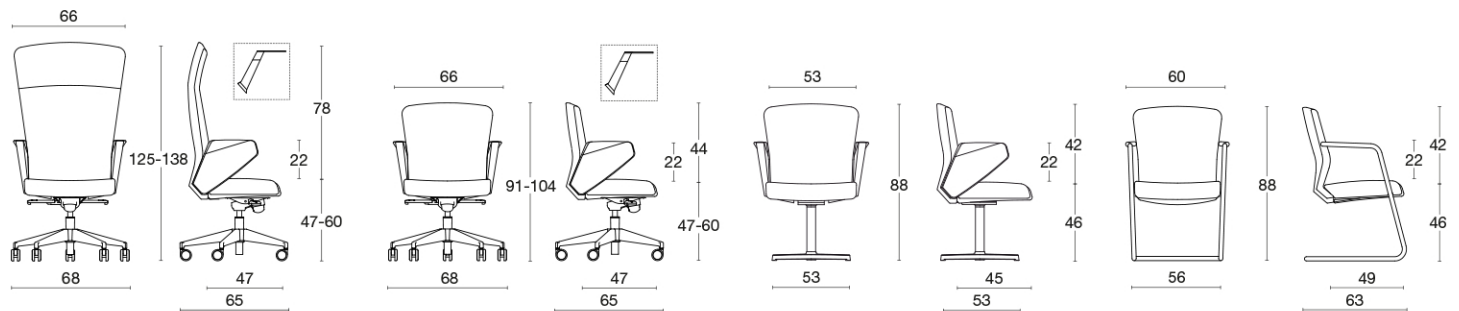
ABRA

DorigoDesign / 2013

UNI EN 1335 TIPO C / UNI EN 16139 LIVELLO 1 / UNI EN 1728 / UNI EN 1022 / Warranty: 5 YEARS

## Executive chair: high backrest / low backrest

The executive armchair has a steel backrest and injected cold foam; the seat is in wood with polyurethane foam. The synchron mechanism assures gaslift regulation and backrest tilt, lockable in various positions, with anti-shock mechanism and bodyweight adjustment. The meeting and visitor chair has a medium-height back and comes either on a five-spur aluminium base on castors, or on a four-blade base with with swivel and return mechanism. Two kind of armrests are available: upholstered for a classic version, or in polished aluminium. The cantilever frame is chromed with fixed arms.



### frame



steel and beech plywood



base: polished aluminium / chromed

### upholstery



fabric	faux leather	faux leather	fabric	fabric	fabric	fabric	fabric	fabric	fabric	fabric	leather	leather	leather
Jet	Planet	Cube	Mirage	Era	Model	Ikon	Blazer	Gorgeous	Hestan	Wolin	Polo	Fiesta	Nuvola
15 colours	15 colours	15 colours	15 colours	15 colours	15 colours	14 colours	12 colours	15 colours	6 colours	9 colours	15 colours	9 colours	6 colours
Cat. F	Cat. F	Cat. G	Cat. G	Cat. S	Cat. S	Cat. Top	Cat. Extra	Cat. Extra	Cat. Extra	Cat. Extra	Cat. Fiesta		

Please refer to the materials folder for the fabric, leather and faux leather colour palette.