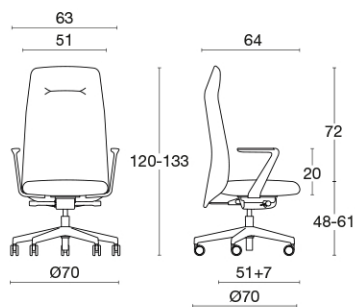


Class 1IM* approval (in progress) / Warranty: 5 YEARS

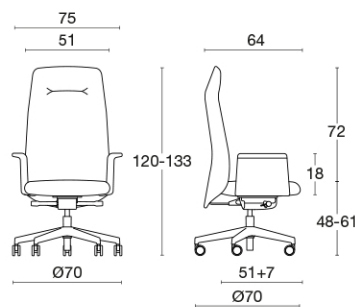
Executive chair / high back / medium back

Suitable for all managerial offices. The seat and backrest have a plywood shell as their core with polyurethane foam padding. The seat comes fitted with a synchron mechanism with translator. These mechanics allow seat and back tilt, with the backrest adjustable in several positions, and equipped with antishock. This tilting backrest can be adjusted in intensity according to the user's weight. Three types of armrests are available: fixed in die-cast polished aluminium with polypropylene covers; fixed and padded; or black 3D adjustable. There is a choice of bases: 4 black or brushed aluminium spokes; 5 brushed and polished aluminium spurs; or with 5 designer spurs in black epoxy painted or brushed aluminium. Standard rubber castors with brake pads for hard floors. Philippe Starck "ring" wheels are available optionally.

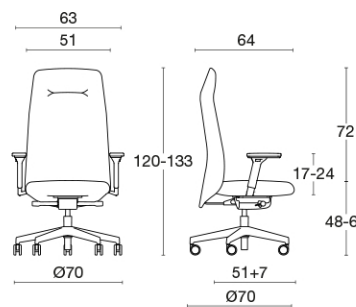
5-star base w/translator armrests AL – Presidential



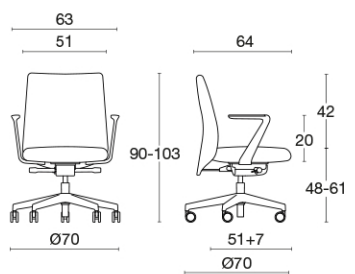
5-star base w/translator padded armrests – Presidential



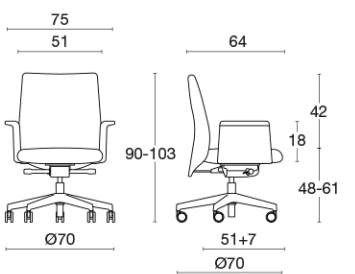
5-star base w/translator 3D armrests – Presidential



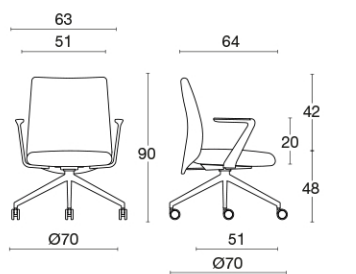
5-star base w/translator armrests AL - Directional



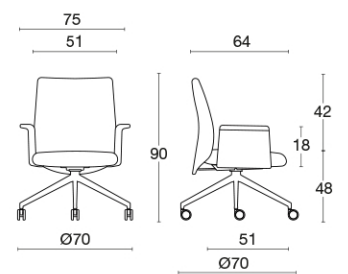
5-star base w/translator padded armrests - Executive



4-star swivel base with armrests AL- Executive



4 star swivel base with padded armrests - Executive



frame



birch plywood



base in black painted aluminum / brushed and polished aluminum

coverings



fabric	faux leather	faux leather	fabric	fabric	fabric	fabric	fabric	fabric	fabric	fabric	leather	leather	leather
Jet	Planet*	Cube	One	Mirage*	Era	Ikon	Blazer	Gorgeous	Hestan	Wolin	Polo	Fiesta	Nuvola
15 colours	15 colours	15 colours	15 colours	15 colours	15 colours	14 colours	12 colours	15 colours	6 colours	9 colours	15 colours	9 colours	6 colours
Cat. F	Cat. F	Cat. G	Cat. G	Cat. G	Cat. S	Cat. Top	Cat. Extra	Cat. Extra	Cat. Extra	Cat. Extra	Cat. Fiesta		

See the materials folder for the colour ranges of fabrics, faux and genuine leathers