

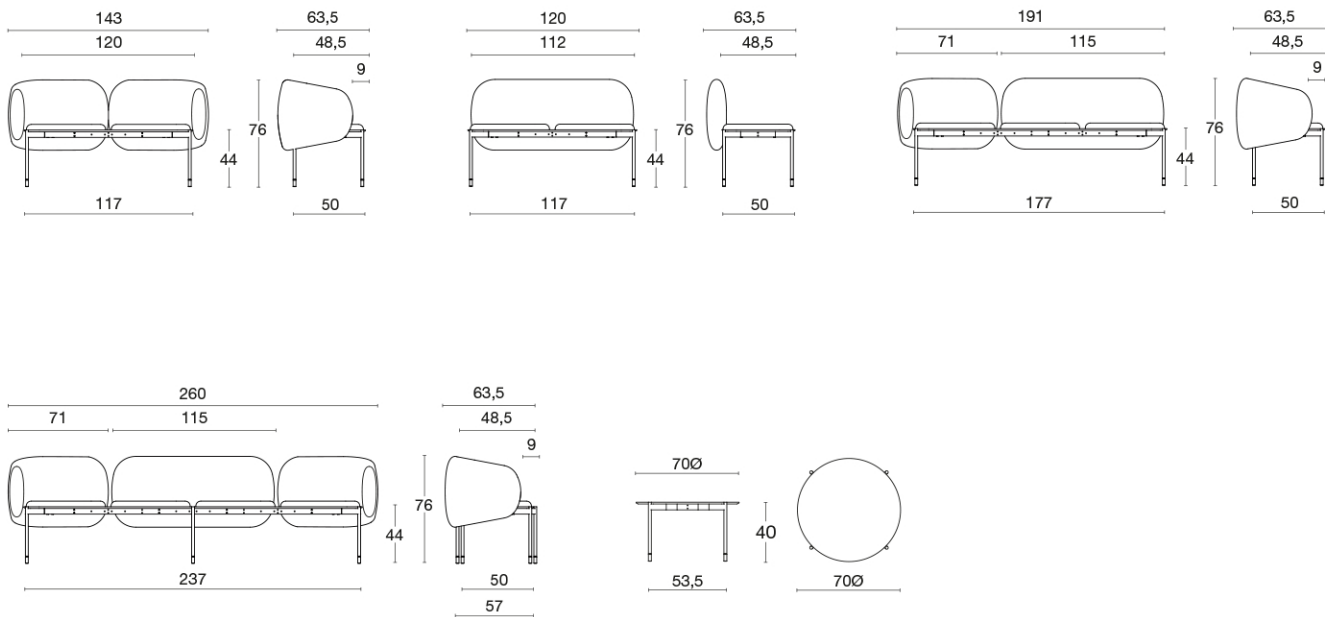
SNAKE

ABRA

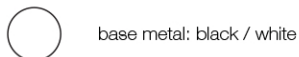
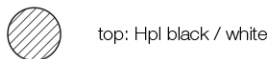
EN 1728 / EN 1022 / UNI EN 16139 / Warranty: 5 YEARS

Modular system

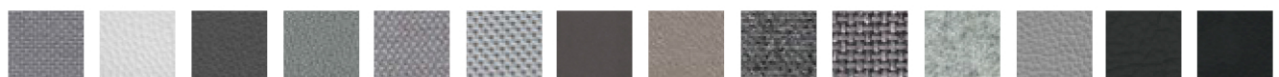
A modular system with minimal lines, ideal for functional waiting rooms, consisting of two, three and four-seater seater benches with HPL seat, and black or white lacquered metal frame, with adjustable feet. They can be upgraded with accessories that add colour and comfort such as upholstered seats, backs and arms, power points, computer accessory table, round table also suitable as a corner for L-shaped configurations, and even coat-stands, racks and suspended feature shelving. The family also includes three different sizes of upholstered screen to be used either stand-alone or fixed to the frame to divide up spaces. A 70 cm high version of the bench is also available and is suitable as a support surface or as an informal seat, and there is also a 101 cm high table version: all elements work throughout the system.



frame



upholstery



fabric	faux leather	faux leather	fabric	fabric	fabric	fabric	fabric	fabric	fabric	fabric	fabric	leather	leather	leather
Jet	Planet	Cube	Mirage	Era	Model	Ikon	Gorgeous	Wolin	Hestan	Blazer	Polo	Fiesta	Nuvola	
15 colours	15 colours	15 colours	15 colours	15 colours	15 colours	14 colours	15 colours	9 colours	6 colours	12 colours	15 colours	9 colours	6 colours	
Cat. F	Cat. F	Cat. G	Cat. G	Cat. S	Cat. S	Cat. Top	Cat. Extra	Cat. Extra	Cat. Extra	Cat. Extra	Cat. Fiesta			

Please refer to the materials folder for the fabric, leather and faux leather colour palette.

SNAKE

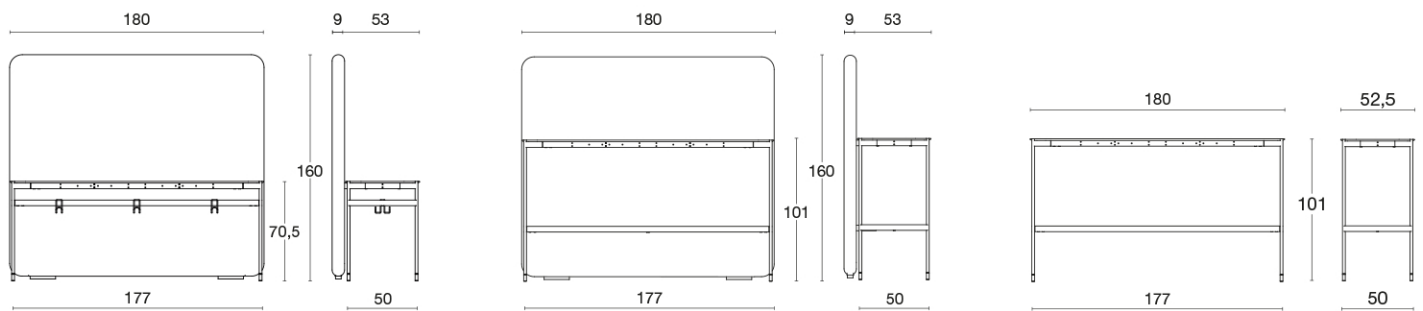
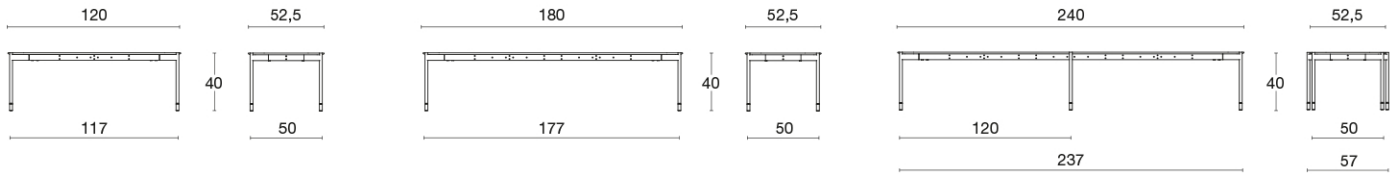
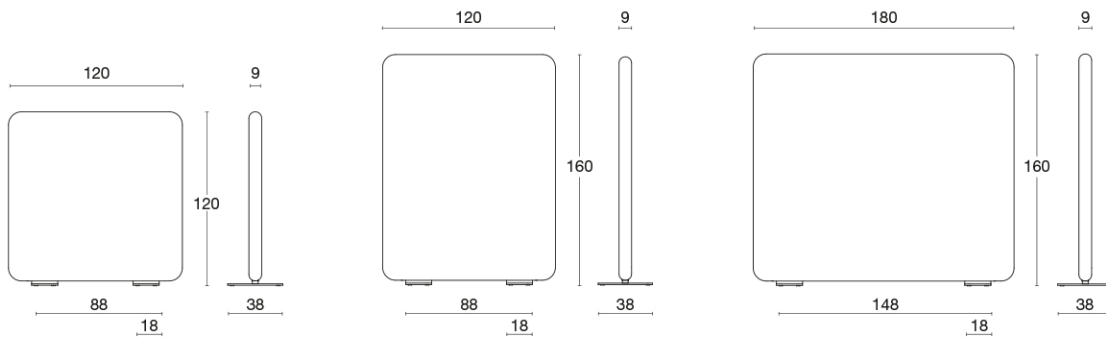
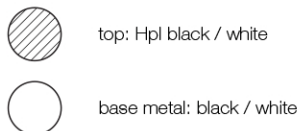


table / L. 180 / H. 70,5



frame



upholstery



Please refer to the materials folder for the fabric, leather and faux leather colour palette.