

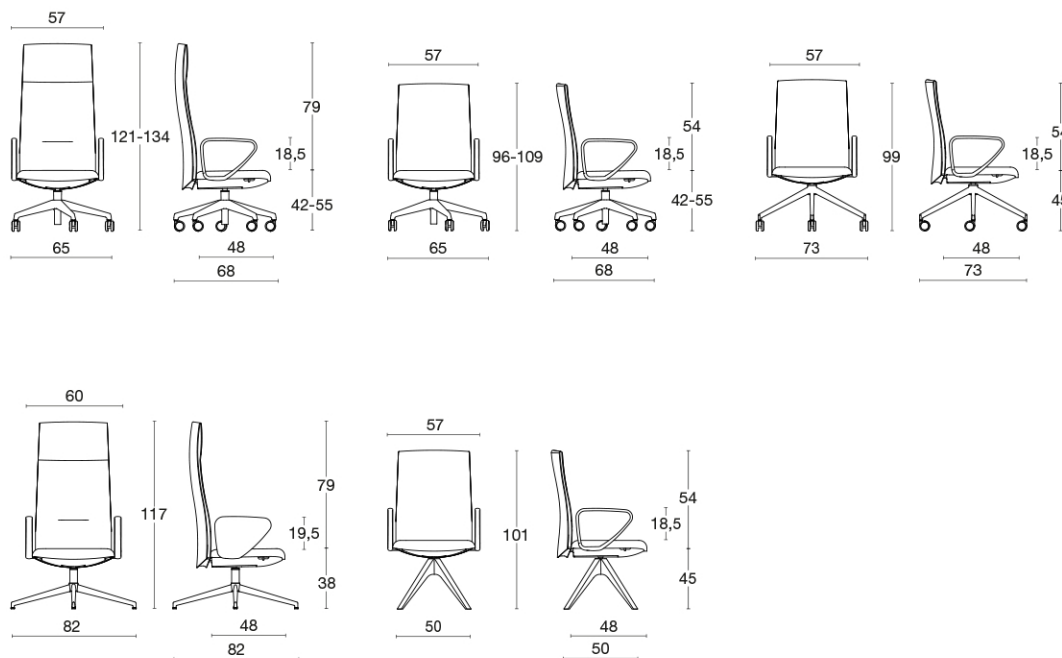
# VELVET

Arch. Giorgio Topan / 2018

UNI EN 1335 TIPO C / Warranty: 5 YEARS

## Executive chair: high backrest / medium backrest / visitor / lounge

Perfect for executive offices and imposing boardrooms. The back is in toughened rigid polyurethane and padded in polyurethane foam, with a profile design detail which can be upholstered in a contrasting colour. The seat is in polypropylene with a completely hidden snazzy syncro self-adjustment mechanism. The back can be locked in different positions, including anti-shock and self-regulating bodyweight system. The fixed arms are in polished aluminium or black lacquered, or again padded and upholstered. The polished aluminium or black nylon five-spur base has self-braking castors. For the visitor-cum-meeting version, the back is medium-height and there is a choice of: four-spur polished aluminium or black lacquered base on glides or castors; or a five-spur polished aluminium base or in black nylon base; with four wooden legs in ashwood. The lounge version has a four-spur black lacquered aluminium base and is accompanied by a footstool.



### frame



rigid toughened polyurethane and polypropylene



base: nylon / aluminium / black lacquered aluminium / ashwood

### upholstery



fabric	faux leather	fabric	faux leather	fabric	fabric	fabric	fabric	fabric	fabric	fabric	leather	leather	leather
Jet	Planet	Mirage	Cube	Era	Model	lkon	Blazer	Gorgeous	Hestan	Wolin	Polo	Fiesta	Nuvola
15 colours	15 colours	15 colours	15 colours	15 colours	15 colours	14 colours	12 colours	15 colours	6 colours	9 colours	15 colours	9 colours	6 colours
Cat. F	Cat. F	Cat. G	Cat. G	Cat. S	Cat. S	Cat. Top	Cat. Extra	Cat. Extra	Cat. Extra	Cat. Extra	Cat. Fiesta		

Please refer to the materials folder for the fabric, leather and faux leather colour palette.